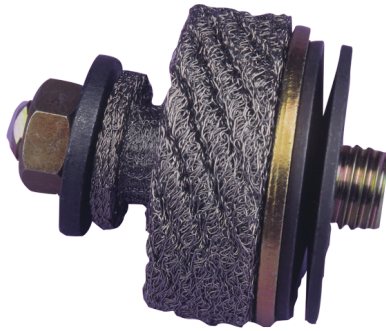


# V1B-5984-01 V1B-5984-11



## DESCRIPTION

The assembly comprises :

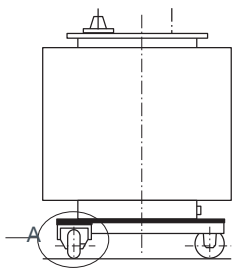
- two metal cushions.
- a nut.
- two Belleville washers.
- a threaded centre axis.
- two flat washers.

## APPLICATIONS

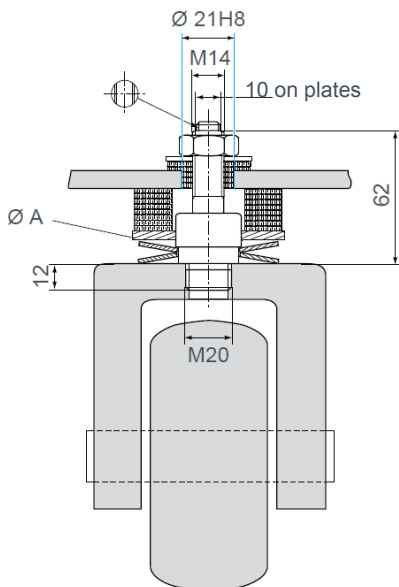
Mountings for transformers with a locking system for use in transit.

## OPERATING CHARACTERISTICS

- Natural frequency :
  - axial
  - radial } 10 to 15 Hz depending on load.
- Attenuation 100 Hz > 90%.
- Good resistance to oil.
- Electrically conductive.



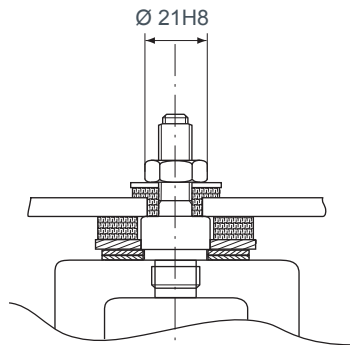
### ENLARGEMENT POINT A



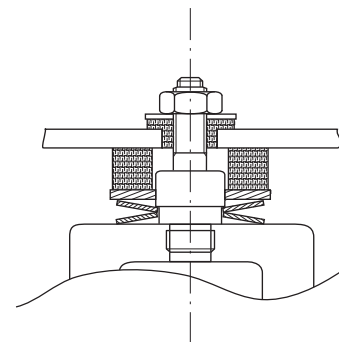
Not supplied

Reference	Static load (daN)	Locking torque (N.m) (for use when transformer in transit)	Ø A (mm)
V1B-5984-01	930	90	65
V1B-5984-11	1 800	100	75

Torque when transformer in use for both types = 70 N.m.



Locked position during transit



Unlock position transformer in use