

E1E941S

Natural frequency : (1)
15 to 30 Hz



DESCRIPTION

- High damped silicon elastomer (VHDS).
- Stainless Steel flange and centre axis.

APPLICATIONS

- Protection of electronic equipment, navigation equipment, control consoles, measuring instruments, onboard aircraft, trains and trucks.

CHARACTERISTICS

Natural frequency :

- axial and radial : 12 to 30 Hz.

Maximum sinusoidal input amplitude at resonance frequency : $\pm 0,5$ mm.

Amplification factor at resonance < 5.

Operating temperature range : - 54 °C to + 150 °C.

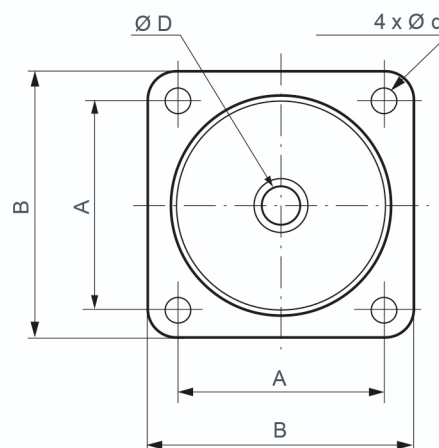
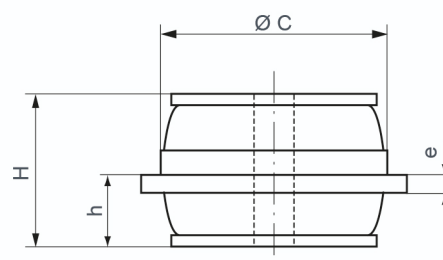
Mechanical strength corresponding to a continuous acceleration of 10 g at maximum load.

Maximum axial displacement during shock:

E1E941S : 4 mm.

Weight : E1E941S : 80 g.

These mounts meet the standard AIR7304 curve ZF.



Reference	Axial static loads (daN)
E1E941S38	5 - 14
E1E941S55	7 - 20
E1E941S72	12 - 30

Reference	A (mm)	B (mm)	Ø C (mm)	Ø D (mm)	H (mm)	Ø d (mm)	e (mm)	h (mm)
E1E941S□□EB	34,9	44,5	38	6,7	26,2	4,3	3	12

1) the indicated natural frequency, are valid for the maxi loads of the ranges of use quoted in the paragraph : TECHNICAL CHARACTERISTICS.