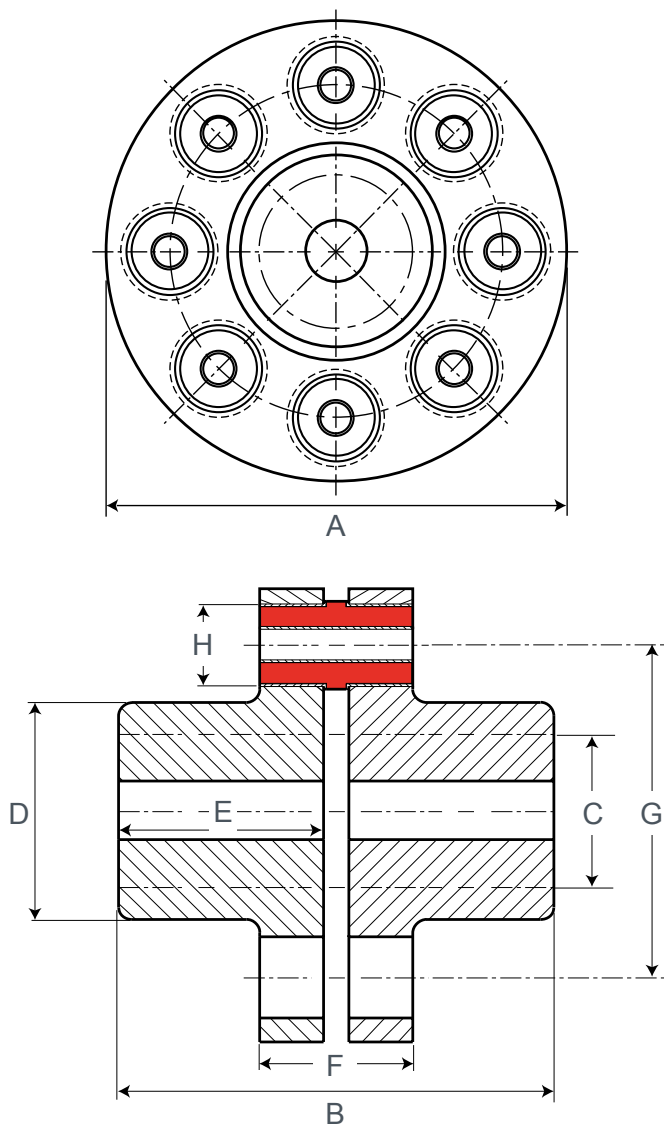


SPARE PARTS

GV Coupling

Recommended in case of very high speed of rotation.



Coupling Reference	Nominal torque (N.m)	Max speed (rpm)	Hole size C (mm)		A (mm)	B (mm)	D (mm)	E (mm)	Type	Flexible stud		F (mm)	G (mm)	H (mm)
			min	max						Reference	Qty			
613101	80	9 000	10	35	100	125	56	60	G.V.10-8	523102	8	35	76	16
613400	450	7 000	24	60	180	170	85	80	G.V.40-8	523401	8	70	130	32
613800	1 000	5 000	35	70	220	235	100	110	G.V.80-8	523801	8	115	150	40
613901	3 800	3 500	35	120	330	320	170	150	G.V.150-10	523902	10	120	250	50
613902	5 400	3 000	35	140	380	340	200	160	G.V.150-12	523902	12	120	300	50
613903	9 000	2 500	40	180	480	400	250	190	G.V.150-16	523902	16	120	400	50

1 N.m ≈ 0,1 mkg